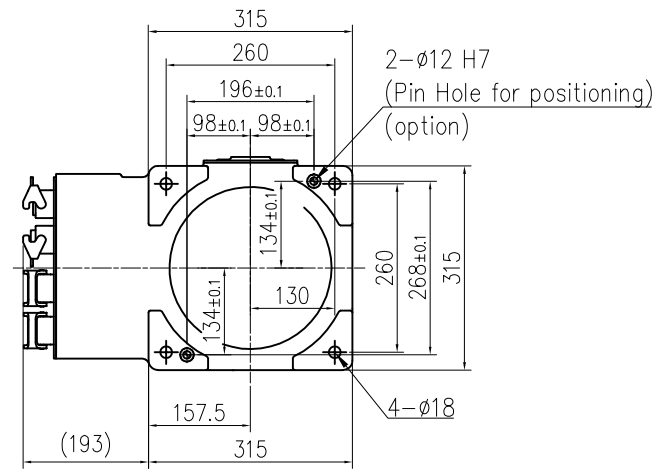
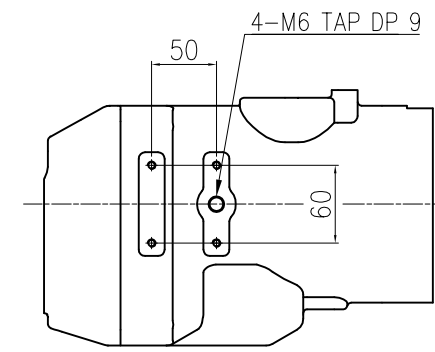


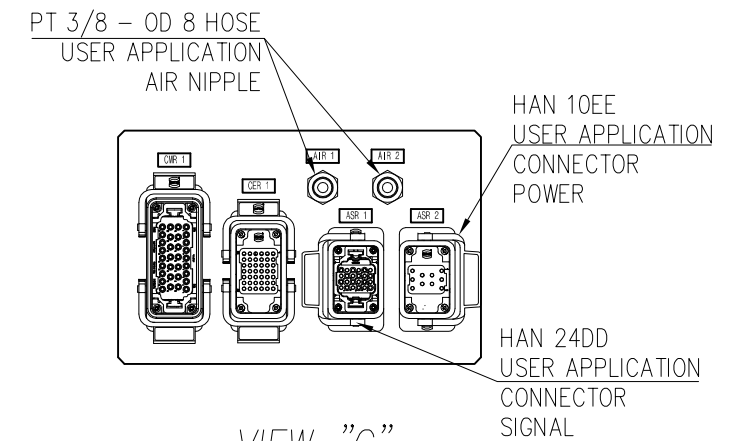
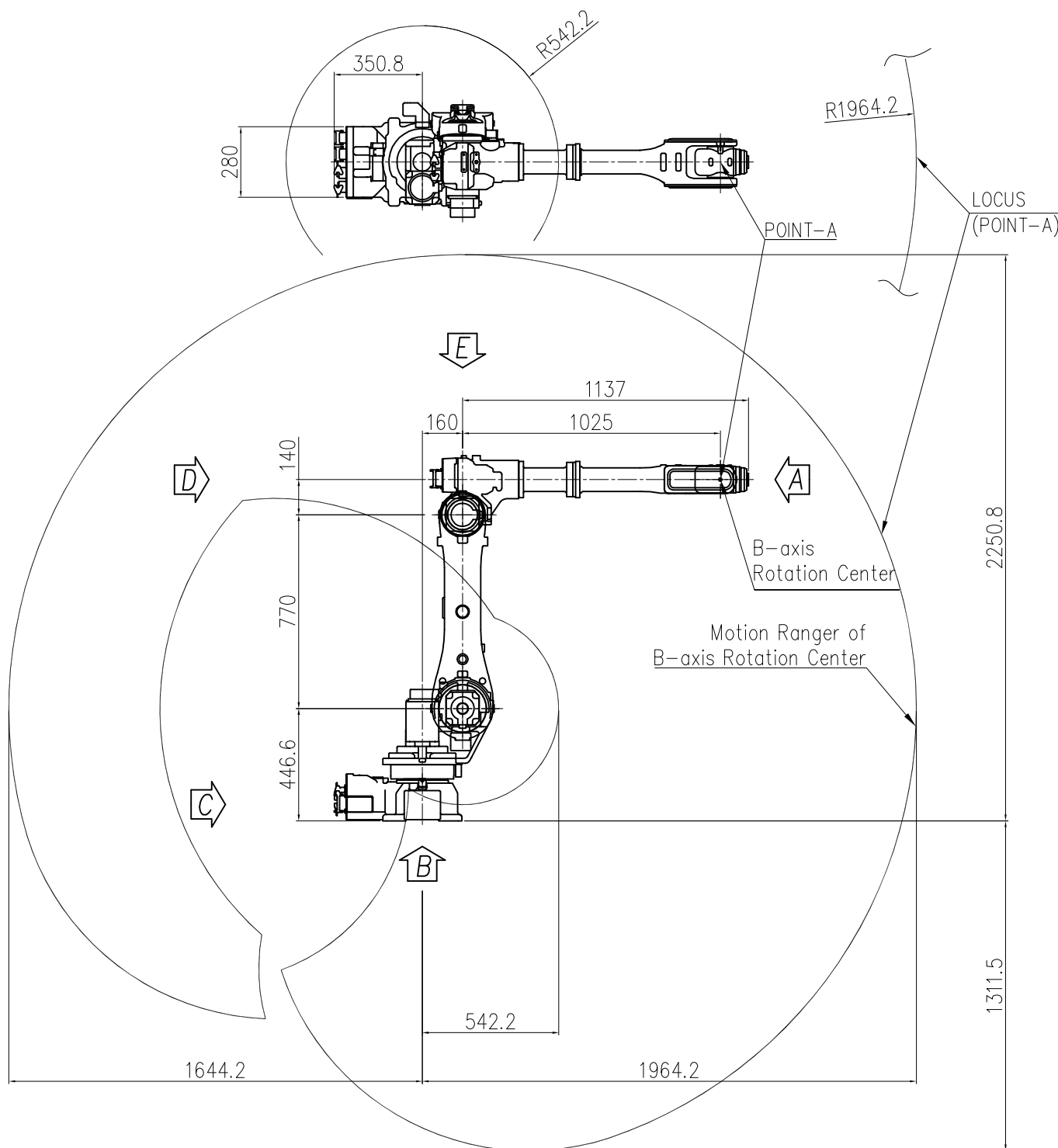
VIEW "A"
(SCALE : 4/1)



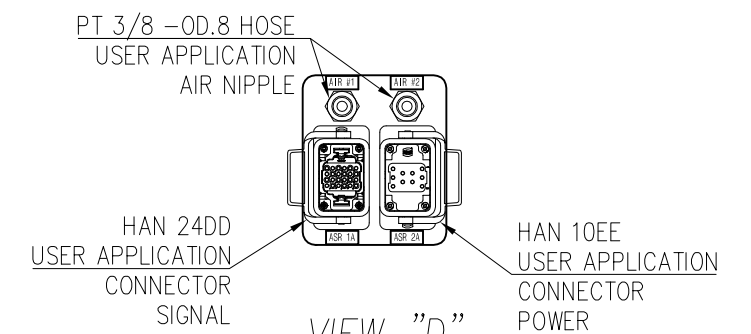
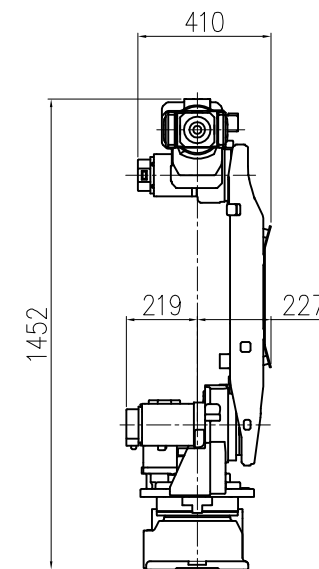
VIEW "B"
(SCALE : 2/1)



VIEW "E"
(SCALE : 4/1)



VIEW "C"
(SCALE : 4/1)



VIEW "D"
(SCALE : 4/1)

TECHNICAL SPECIFICATION SUBJECT TO CHANGE WITHOUT NOTICE

MODEL	HH010L	issue.0
DATE	2018.06.19	

